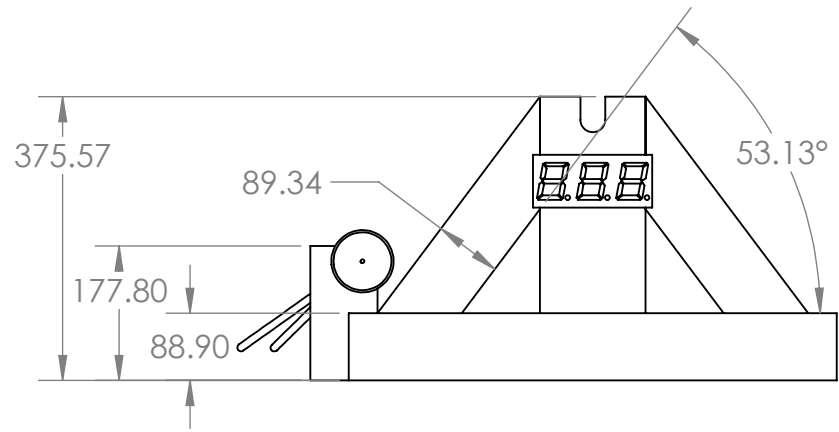


2

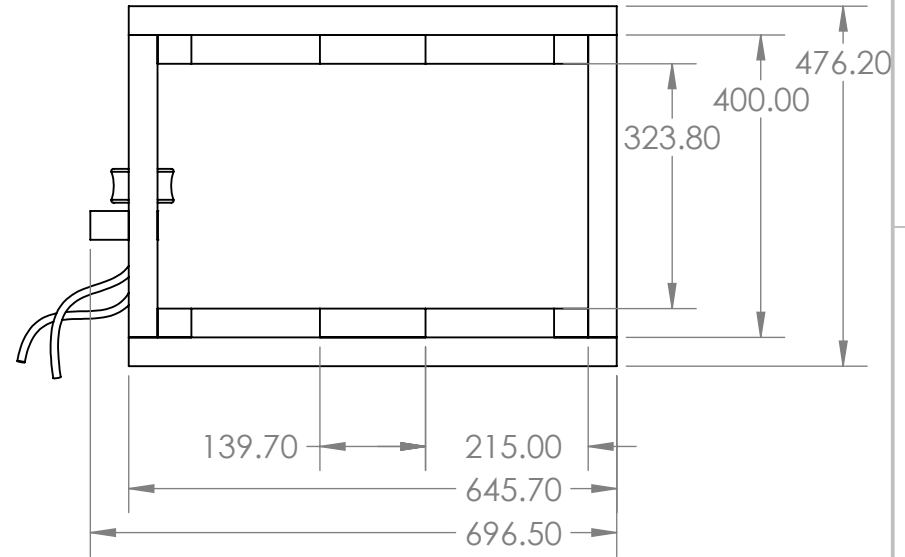
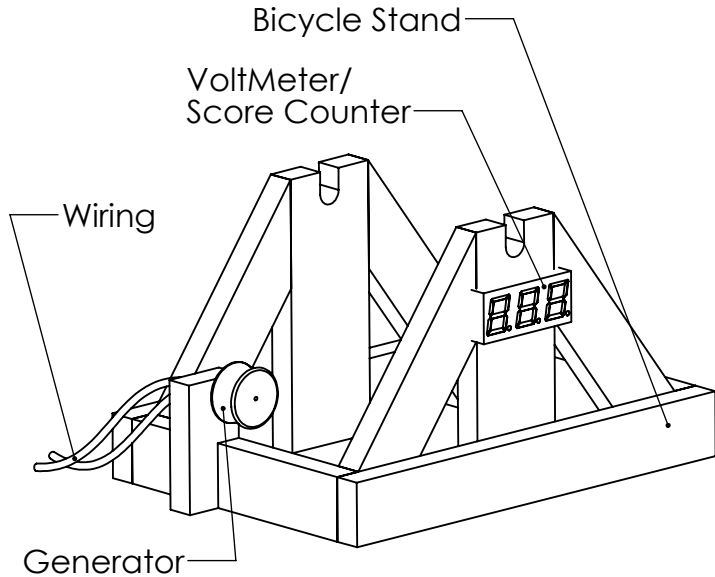
1

ITEM NO.	PART NUMBER	DESCRIPTION	QTY.
1	Bicycle Stand		1
2	VoltMeter		1
3	Brushless DC Motor		1
4	Motor Wheel		1
5	Electrical Wire		2



B

B



A

A

UNLESS OTHERWISE SPECIFIED:		NAME	DATE
DIMENSIONS ARE IN MM		DRAWN	CH
TOLERANCES: ±3		CHECKED	03/30/26
FRACTIONAL ±		ENG APPR.	
ANGULAR: MACH ± BEND ±		MFG APPR.	
TWO PLACE DECIMAL ±		Q.A.	
THREE PLACE DECIMAL ±		COMMENTS:	
INTERPRET GEOMETRIC TOLERANCING PER:			
MATERIAL			
NEXT ASSY	USED ON		
APPLICATION			
DO NOT SCALE DRAWING			

PROPRIETARY AND CONFIDENTIAL
 THE INFORMATION CONTAINED IN THIS DRAWING IS THE SOLE PROPERTY OF <INSERT COMPANY NAME HERE>. ANY REPRODUCTION IN PART OR AS A WHOLE WITHOUT THE WRITTEN PERMISSION OF <INSERT COMPANY NAME HERE> IS PROHIBITED.

TITLE:		
Bicycle Generator		
SIZE	DWG. NO.	REV
A	PHS_Stand	
SCALE: 1:10	WEIGHT:	SHEET 1 OF 1

2

1